

The Excel PON Solution

Delivering Connectivity, Performance and Innovation at the Speed of Light

Across a typical city, there are many different types of building and installation environments that require an infrastructure solution to provide their wired or wireless services. High-and low-density residential areas, business districts and multi-tenant environments all have a need for high-speed connectivity to the network for internet, telecoms, CCTV and other services, yet these requirements differ in each type of setting.

Delivering fibre to a single house will present a different set of challenges to delivering fibre to a large apartment block, which may require different infrastructure components than an installation in a large office environment or a shopping centre. With these considerations in mind, a "one solution fits all" approach isn't always possible.

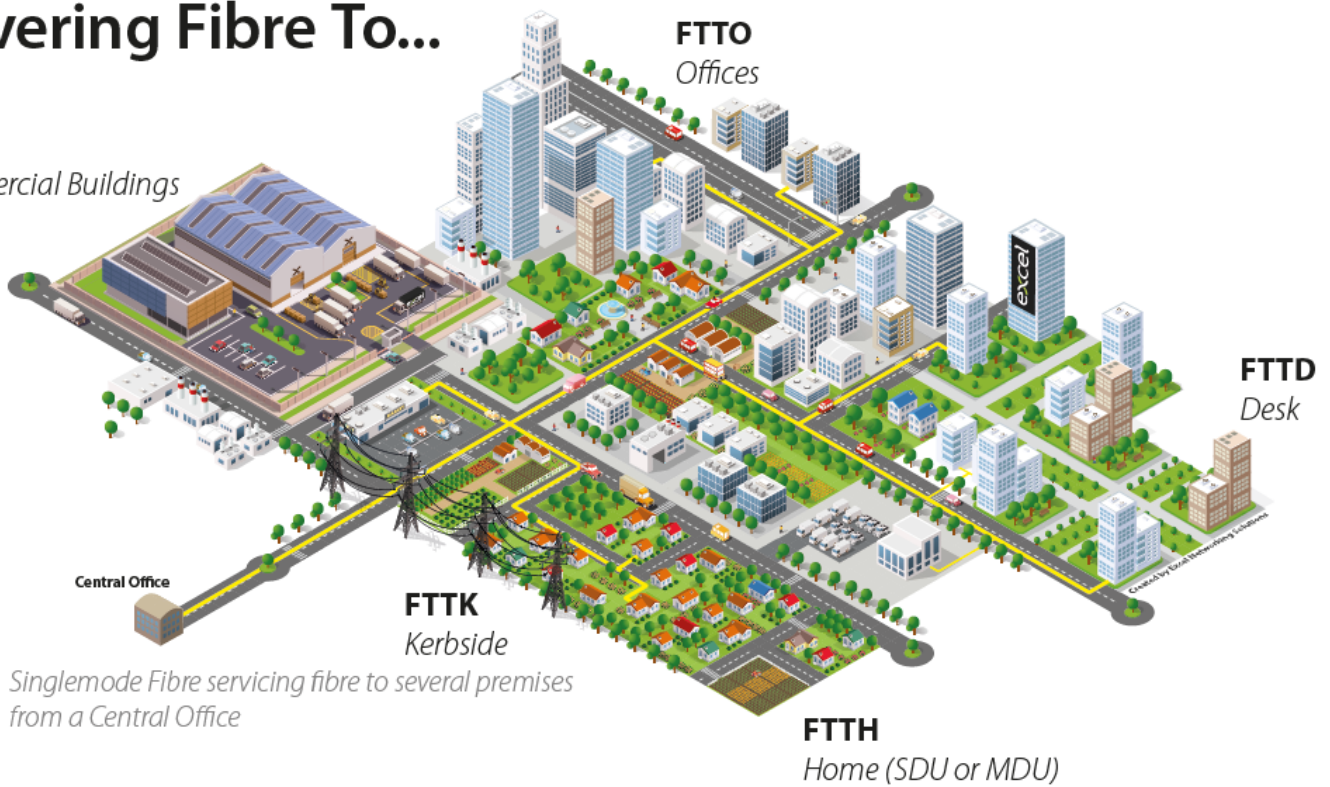
Delivering Fibre To...

FTTO

Commercial Buildings

FTTO

Offices



Singlemode Fibre servicing fibre to several premises from a Central Office

Excel presents a wide range of products and flexible deployment options across the full range of PON applications. The following diagrams demonstrate how the Excel PON solution can be installed into different environments, highlighting the flexibility and modularity of the products.

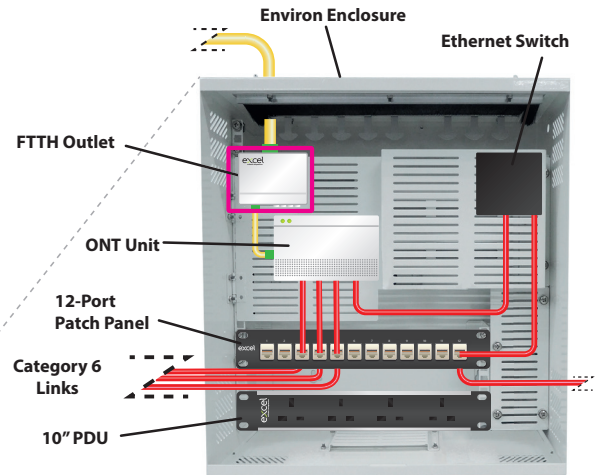
T: +44 (0) 121 326 7557
F: +44 (0) 121 327 1537
E: sales@excel-networking.com

www.excel-networking.com

excel
without compromise.

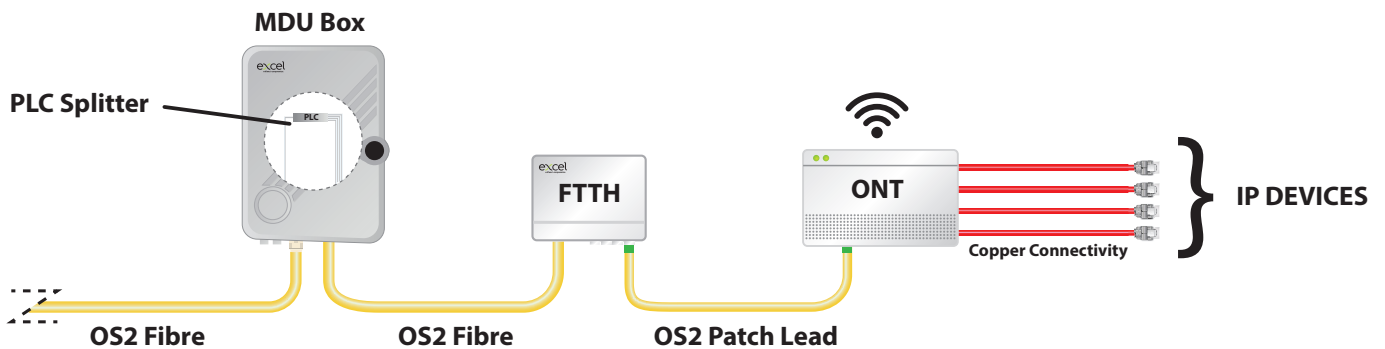
Multi-Dwelling Unit (MDU)

This diagram suggests how the products could work together in a typical installation of the Excel PON Solution in an MDU environment, such as a large apartment building, a small block of flats or a student accomodation building.



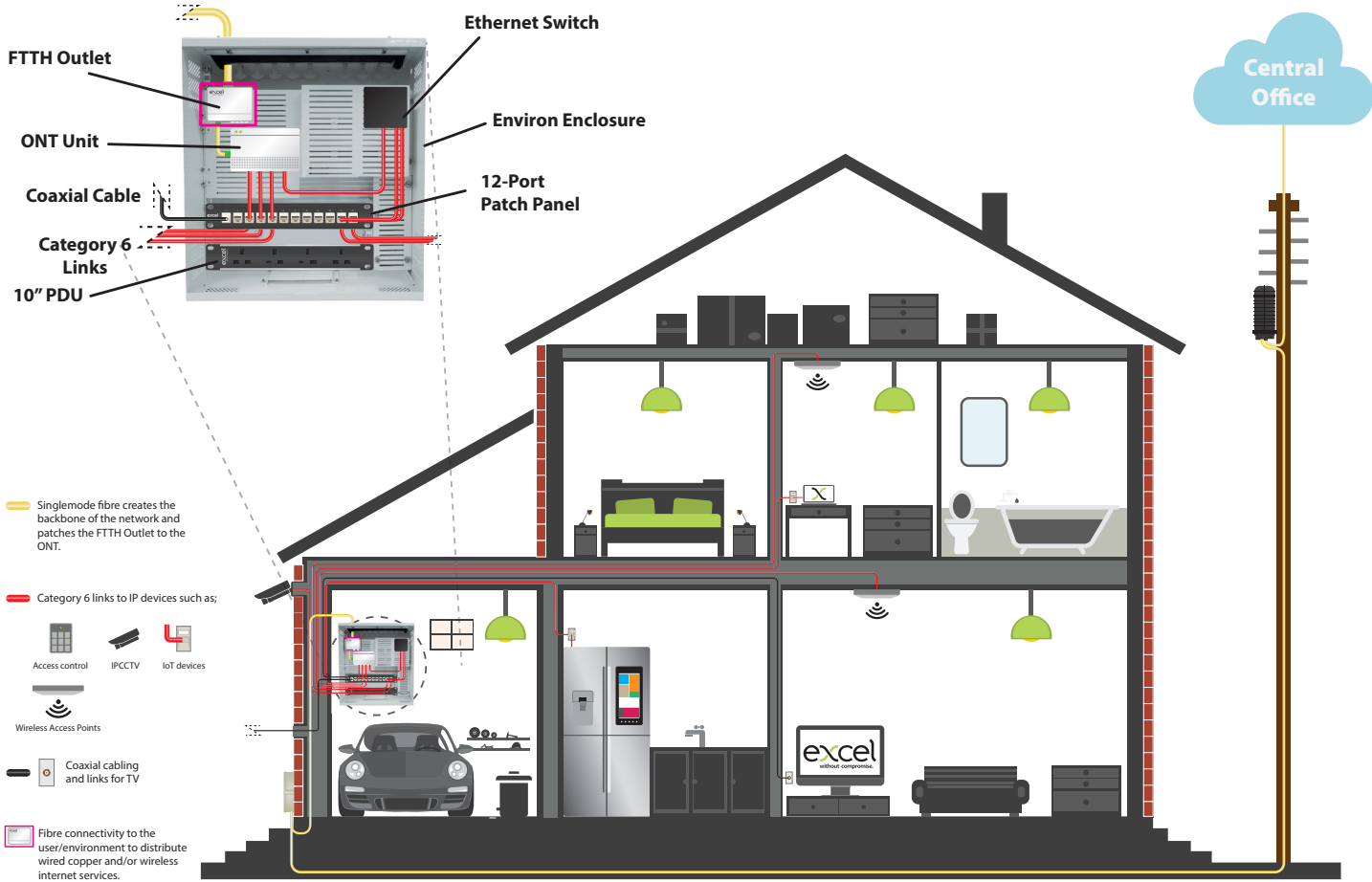
- Singlemode fibre creates the backbone of the network and patches the FTTH Outlet to the ONT.
- Category 6 links to IP devices such as;
 - Access control
 - IP Lighting
 - IPCCTV
 - IoT devices
 - Wireless Access Points
- Fibre connectivity to the user/environment to distribute wired copper and/or wireless internet services.

Product Deployment Schematic

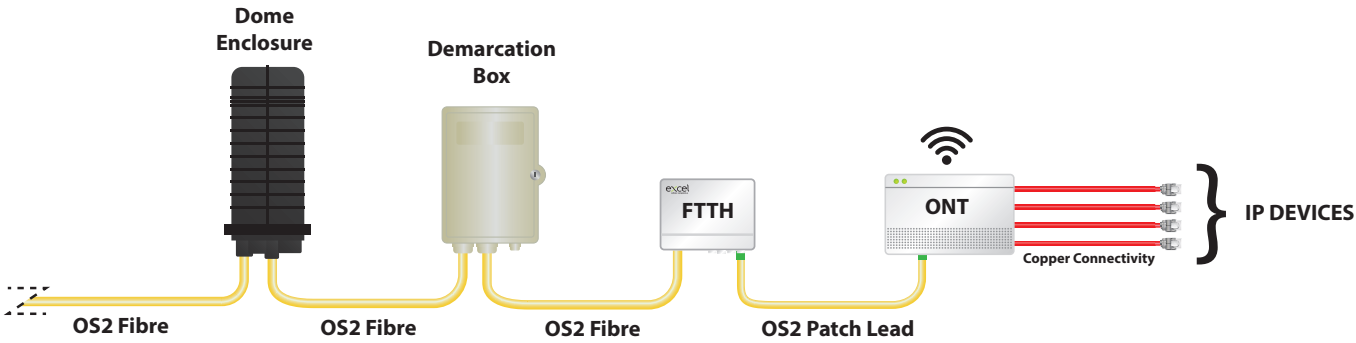


Single Dwelling Unit (SDU)

This diagram suggests how the products could work together in a typical installation of the Excel PON Solution in an SDU environment, such as a residential home.

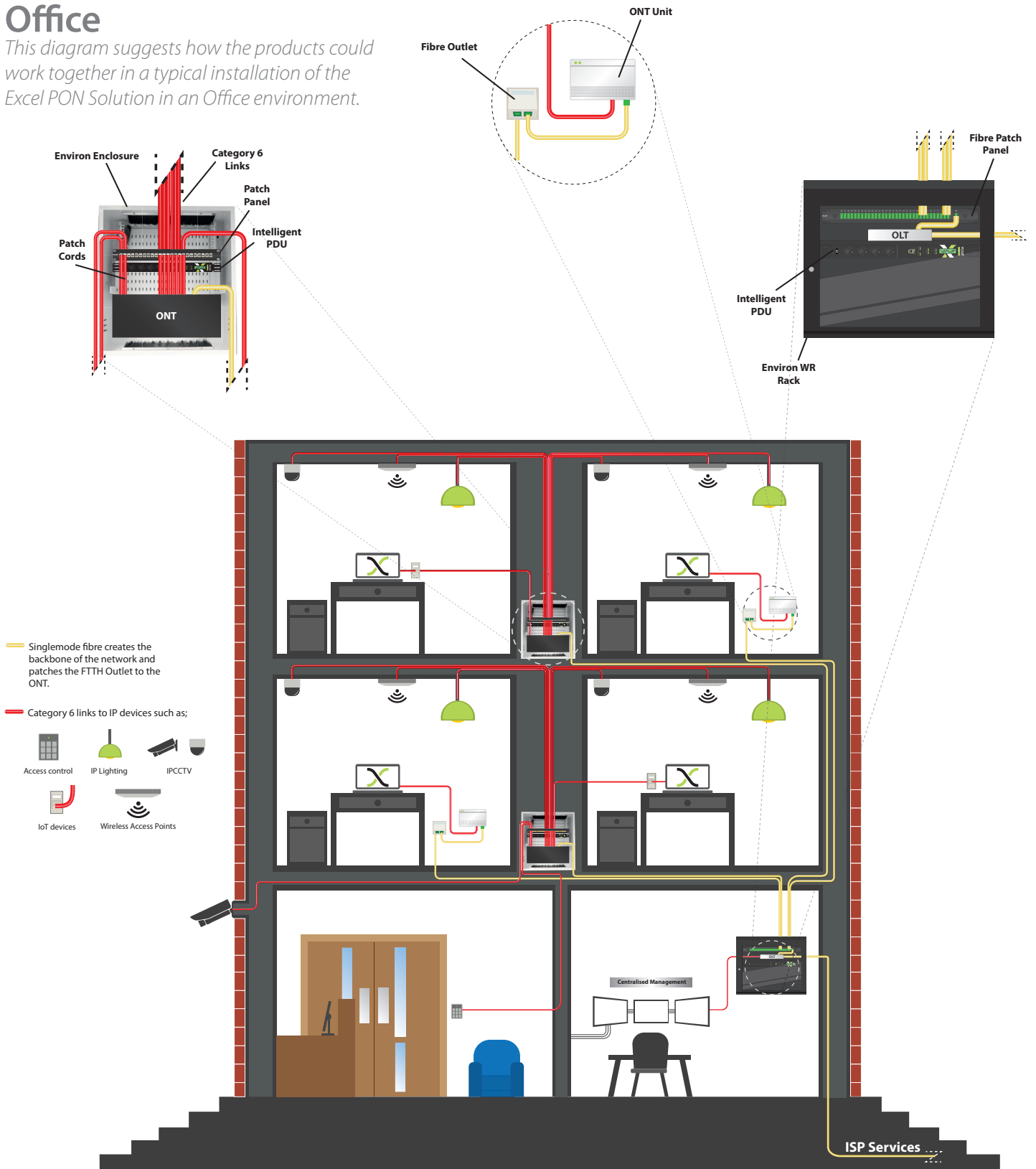


Product Deployment Schematic



Office

This diagram suggests how the products could work together in a typical installation of the Excel PON Solution in an Office environment.



Product Deployment Schematic

